

## Cutter Sewage Wastewater Submersible Electric Pumps with open cutting impeller with diffusor and blade device for liquids containing fibres. - Liqua™

### Applications

Suitable for domestic, residential, industrial, agricultural and civil drainage and wastewater sewage uses: dewatering; sump drainage, effluent and sewage; ponds, construction, mines, reclamation, swimming pools, basements and flooded areas, stormwaters, irrigation, stock breeding, food beverage, for waste, sewage and washwater for single and several households and public buildings, for building sites also partially dry, for continuous and heavy duties for most types of fluids also with bodies in suspension in water treatment plants, brackish waters, dirty waters, sludge, industrial processes, etc.





I-36063 Marostica (Vicenza) Italy  
www.valco.eu

**LT-CUTTER Range VALCO BRAND Cutter Sewage Wastewater  
Submersible Electric Pumps Liqua™**

Pump and motor construction data  
with limits of use and operating conditions

Types		HP	kW	Q= Performance at 2900 rpm																								In (A) 1x230V	In (A) 3x400V
1 PH 230V 50Hz	3 PH 400V 50Hz			0	1,8	3	3,6	5,4	6	7,2	9	10,8	12	12,6	14,4	16,2	18	20	21	23	25	28							
LT-1200	-	1,2	0,9	18,8	17,2	16,0	15,4	13,6	13,0	11,7	9,7	7,6	6,2														5,8	-	
-	LT-1200T	1,2	0,9	18,8	17,2	16,0	15,4	13,6	13,0	11,7	9,7	7,6	6,2														-	2,5	
LT-1205	-	1,2	0,9	20,0	17,8	15,7	14,8	13,1	12,5	11,1	9,0	7,0	5,7	5,0													7,3	-	
-	LT-1205T	1,2	0,9	20,0	17,8	15,7	14,8	13,1	12,5	11,1	9,0	7,0	5,7	5,0													-	2,5	
LT-1210H	-	1,2	0,9	18,5	17,4	16,7	16,2	14,0	13,3	11,6	8,5	1,3															4,8	-	
-	LT-1210HT	1,2	0,9	18,5	17,4	16,7	16,2	14,0	13,3	11,6	8,5	1,3															-	1,8	
LT-1500	-	1,5	1,1	21,0	19,0	17,8	17,3	15,8	15,2	14,0	12,0	10,5	9,4	9,0	7,8	5,8	2,0											7,0	-
-	LT-1500T	1,5	1,1	21,0	19,0	17,8	17,3	15,8	15,2	14,0	12,0	10,5	9,4	9,0	7,8	5,8	2,0											-	3,0
LT-1510	-	1,5	1,1	19,4	18,9	18,5	18,3	17,5	17,3	16,8	16,0	14,9	14,2	13,8	12,7	11,3	9,9											11,5	-
-	LT-1510T	1,5	1,1	19,4	18,9	18,5	18,3	17,5	17,3	16,8	16,0	14,9	14,2	13,8	12,7	11,3	9,9											-	4,4
LT-1515	-	1,5	1,1	20,0	18,3	17,1	16,5	14,7	14,1	12,8	10,8	8,9	7,7	6,9														9,1	-
-	LT-1515T	1,5	1,1	20,0	18,3	17,1	16,5	14,7	14,1	12,8	10,8	8,9	7,7	6,9														-	3,0
LT-1525	-	1,5	1,1	17,0	16,0	15,0	14,2	11,3	10,0	6,8	2,0																	7,1	-
-	LT-1525T	1,5	1,1	17,0	16,0	15,0	14,2	11,3	10,0	6,8	2,0																	-	3,0
LT-2005	-	2	1,5	22,1	21,6	21,3	21,1	20,5	20,3	19,8	19,1	18,3	17,7	17,4	16,3	15,0	13,4											13,6	-
-	LT-2005T	2	1,5	22,1	21,6	21,3	21,1	20,5	20,3	19,8	19,1	18,3	17,7	17,4	16,3	15,0	13,4											-	5,1
LT-2010	-	2	1,5	21,0	19,7	19,0	18,6	17,4	17,0	16,2	15,0	13,9	13,0	12,4	10,5	8,4	6,0	3,5										13,0	-
-	LT-2010T	2	1,5	21,0	19,7	19,0	18,6	17,4	17,0	16,2	15,0	13,9	13,0	12,4	10,5	8,4	6,0	3,5										-	4,5
LT-2505	-	2,5	1,8	27,0	24,4	22,8	22,1	20,5	19,9	19,0	17,8	16,2	15,1	14,6	12,7	10,0	6,0											11,0	-
-	LT-2505T	2,5	1,8	27,0	24,4	22,8	22,1	20,5	19,9	19,0	17,8	16,2	15,1	14,6	12,7	10,0	6,0											-	4,0
LT-2515	-	2,5	1,8	25,0	23,1	22,1	21,5	20,1	19,7	18,9	17,8	16,8	16,2	15,9	15,0	14,0	13,0	11,7	11,1	9,5								13,3	-
-	LT-2515T	2,5	1,8	25,0	23,1	22,1	21,5	20,1	19,7	18,9	17,8	16,8	16,2	15,9	15,0	14,0	13,0	11,7	11,1	9,5								-	4,0
-	LT-3000T	3	2,2	34,0	31,7	30,3	29,5	27,5	26,9	25,7	23,8	22,0	20,7	20,0	17,6	15,0	10,0											-	5,0
-	LT-3005T	3	2,2	26,1	25,6	25,2	25,0	24,5	24,3	23,9	23,3	22,5	22,0	21,7	20,6	19,5	18,2											-	5,8
-	LT-3010T	3	2,2	23,8	22,3	21,5	21,1	20,1	19,8	19,1	18,1	17,0	16,1	15,6	13,8	11,6	8,9	5,5										-	6,0
-	LT-3300T	3,3	2,5	29,0	27,3	26,3	25,8	24,5	24,1	23,4	22,4	21,4	20,8	20,5	19,5	18,5	17,5	16,2	15,4	13,8	11,9	8,33						-	6,3
-	LT-4000T	4	3	38,8	36,1	34,6	33,9	32,3	31,8	30,9	29,8	28,7	27,9	27,5	26,1	24,3	22,1	18,9	17,0	12,3								-	7,0
-	LT-4005T	4	3	33,5	32,5	31,8	31,5	30,4	30,1	29,5	28,5	27,2	26,4	26,0	24,8	23,3	21,6											-	7,5
-	LT-5500T	5,5	4	43,0	40,8	39,6	39,0	37,4	37,0	36,0	34,8	33,5	32,6	32,2	30,7	28,9	26,9	24,1	22,5	18,8								-	9,1
-	LT-5505T	5,5	4	38,6	37,6	36,9	36,6	35,6	35,3	34,7	33,9	32,8	32,1	31,7	30,5	29,2	27,6	25,0										-	9,2
-	LT-7500T	7,5	5,5	47,8	46,9	46,2	45,9	44,9	44,5	43,8	42,7	41,6	40,8	40,4	39,3	38,1	36,1	30,6	26,7									-	13,9
-	LT-10A00T	10	7,5	54,6	53,5	52,7	52,4	51,4	51,0	50,3	49,2	47,9	47,1	46,7	45,6	44,6	42,7	37,8	34,0									-	15,5

• Reduction in speed will result in a fall of performance. • DO NOT RUN PUMP DRY! • Tolerances according to ISO 9906 Grade 3B.

**OPERATING CONDITIONS (LIMITS OF USE)**

Maximum temperature of pumped liquid °C	0 +35
pH of pumped liquid	6 - 10
Density of pumped liquid with $\gamma$ =water specific gravity kg/dm <sup>3</sup>	1
Free passage Ø max mm	Not applicable
Presence of solids in suspension	Yes
Installation type	Submerged

**MOTOR**

Asynchronous Electric motor	
Insulation class	F
Degree of protection IP	68
Service	Continuous duty
Maximum tolerance (fluctuation) from the nominal voltage	±6%
Starts per hour max	30

3phase version the overload motor protection must be provided by the user (we recommend the use of a control box)

**1phase version**

Type	OVERLOAD PROTECTION	CAPACITOR	FLOAT SWITCH
LT-1200	OPT EXT BOX	OPT EXT BOX	OPT EXT BOX
LT-1205	EXT BOX	EXT BOX + ST C	INCLUDED
LT-1210H	INT	INT	INCLUDED
LT-1500	INT	EXT BOX	INCLUDED
LT-1510	OPT EXT BOX	OPT EXT BOX (1)	OPT EXT BOX
LT-1515	EXT BOX	EXT BOX + ST C	EXT BOX
LT-1525	INT	INT	INCLUDED
LT-2005	OPT EXT BOX	OPT EXT BOX (1)	OPT EXT BOX
LT-2010	EXT BOX	EXT BOX	OPT EXT BOX
LT-2505	INT	EXT BOX	INCLUDED
LT-2515	OPT EXT BOX	OPT EXT BOX (1)	OPT EXT BOX

INT: Internal (built in)  
EXT BOX: In external box  
EXT BOX + ST C: In external box with start capacitor  
OPT EXT BOX: Optional on demand with overprice in external box  
(1): Optional on demand with overprice with start capacitor

I-36063 Marostica (Vicenza) Italy  
www.valco.eu

**LT-CUTTER Range VALCO BRAND Cutter Sewage Wastewater  
Submersible Electric Pumps Liqua™**

Pump and motor construction data  
with limits of use and operating conditions

Types		Pump material	Motor chamber	Mechanical seal code	Shaft material (pump side) stainless steel	Type of delivery HOR: horizontal VER: vertical	Coupling device type
1 PH 230V 50Hz	3 PH 400V 50Hz						
LT-1200	-	Motor casing and pump in cast iron	Dry	PKA-MR-O	DIN/EN 1.4021 (AISI 420)	HOR	TH IN LINE
-	LT-1200T	Motor casing and pump in cast iron	Dry	PKA-MR-O	DIN/EN 1.4021 (AISI 420)	HOR	TH IN LINE
LT-1205	-	Motor casing and pump in cast iron	In oil	PKK-MKA-O	DIN/EN 1.4021 (AISI 420)	HOR	TH IN LINE
-	LT-1205T	Motor casing and pump in cast iron	In oil	PKK-MKA-O	DIN/EN 1.4021 (AISI 420)	HOR	TH IN LINE
LT-1210H	-	Motor casing in stainless st., pump in cast iron	Dry	PKK-MR-O	DIN/EN 1.4005 (AISI 416)	HOR	TH IN LINE
-	LT-1210HT	Motor casing in stainless st., pump in cast iron	Dry	PKK-MR-O	DIN/EN 1.4005 (AISI 416)	HOR	TH IN LINE
LT-1500	-	Motor casing and pump in cast iron	In oil	PKK	DIN/EN 1.4057 (AISI 431)	HOR/VER	TH IN LINE
-	LT-1500T	Motor casing and pump in cast iron	In oil	PKK	DIN/EN 1.4057 (AISI 431)	HOR/VER	TH IN LINE
LT-1510	-	Motor casing and pump in cast iron	In oil	PKK-MGA-O	DIN/EN 1.4301 (AISI 304)	HOR	TH IN LINE
-	LT-1510T	Motor casing and pump in cast iron	In oil	PKK-MGA-O	DIN/EN 1.4301 (AISI 304)	HOR	TH IN LINE
LT-1515	-	Motor casing and pump in cast iron	In oil	PKK-MKA-O	DIN/EN 1.4021 (AISI 420)	HOR	TH IN LINE
-	LT-1515T	Motor casing and pump in cast iron	In oil	PKK-MKA-O	DIN/EN 1.4021 (AISI 420)	HOR	TH IN LINE
LT-1525	-	Motor casing in stainless st., pump in cast iron	In oil	PKA-MR-O	DIN/EN 1.4401 (AISI 316)	HOR	TH IN LINE
-	LT-1525T	Motor casing in stainless st., pump in cast iron	In oil	PKA-MR-O	DIN/EN 1.4401 (AISI 316)	HOR	TH IN LINE
LT-2005	-	Motor casing and pump in cast iron	In oil	PKK-MGA-O	DIN/EN 1.4301 (AISI 304)	HOR	TH IN LINE
-	LT-2005T	Motor casing and pump in cast iron	In oil	PKK-MGA-O	DIN/EN 1.4301 (AISI 304)	HOR	TH IN LINE
LT-2010	-	Motor casing in stainless st., pump in cast iron	In oil	PKA-MGA-O	DIN/EN 1.4401 (AISI 316)	HOR	TH IN LINE
-	LT-2010T	Motor casing in stainless st., pump in cast iron	In oil	PKA-MGA-O	DIN/EN 1.4401 (AISI 316)	HOR	TH IN LINE
LT-2505	-	Motor casing and pump in cast iron	In oil	PKK-MGA-O	DIN/EN 1.4057 (AISI 431)	HOR/VER	TH IN LINE
-	LT-2505T	Motor casing and pump in cast iron	In oil	PKK-MGA-O	DIN/EN 1.4057 (AISI 431)	HOR/VER	TH IN LINE
LT-2515	-	Motor casing and pump in cast iron	Dry	PKK-MGA-O	DIN/EN 1.4021 (AISI 420)	HOR	TH IN LINE
-	LT-2515T	Motor casing and pump in cast iron	Dry	PKK-MGA-O	DIN/EN 1.4021 (AISI 420)	HOR	TH IN LINE
LT-3000T	-	Motor casing and pump in cast iron	In oil	PKK-MGA-O	DIN/EN 1.4057 (AISI 431)	HOR/VER	TH IN LINE
LT-3005T	-	Motor casing and pump in cast iron	In oil	PKK-MGA-O	DIN/EN 1.4301 (AISI 304)	HOR	TH IN LINE
LT-3010T	-	Motor casing in stainless st., pump in cast iron	In oil	PKA-MGA-O	DIN/EN 1.4401 (AISI 316)	HOR	TH IN LINE
LT-3300T	-	Motor casing and pump in cast iron	Dry	PKK-MGA-O	DIN/EN 1.4021 (AISI 420)	HOR	TH IN LINE
LT-4000T	-	Motor casing and pump in cast iron	Dry	PKK-MGA-O	DIN/EN 1.4021 (AISI 420)	HOR	TH IN LINE
LT-4005T	-	Motor casing and pump in cast iron	In oil	PKK-MGA-O	DIN/EN 1.4301 (AISI 304)	HOR	FL BEND
LT-5500T	-	Motor casing and pump in cast iron	Dry	PKK-MGA-O	DIN/EN 1.4021 (AISI 420)	HOR	TH IN LINE
LT-5505T	-	Motor casing and pump in cast iron	In oil	PKK-MGA-O	DIN/EN 1.4301 (AISI 304)	HOR	FL BEND
LT-7500T	-	Motor casing and pump in cast iron	In oil	PKK-MGA-O	DIN/EN 1.4301 (AISI 304)	HOR	FL BEND
LT-10A00T	-	Motor casing and pump in cast iron	In oil	PKK-MGA-O	DIN/EN 1.4301 (AISI 304)	HOR	FL BEND

Blade device in hardened stainless steel  
Impeller in cast iron

TH IN LINE: Autocoupling device threaded in line  
FL BEND: Autocoupling device flanged with 90° bend

Mechanical seal code:

- P: Pump side
- A: Ceramic
- K: Silicon carbide
- O: In oil chamber
- M: Motor Side
- G: Carbon graphite
- R: Seal Ring



Types		DNm	Pole	Ø max solids in susp. Free passage (mm)	max immersion depth (m)	Cable length (m) H07RN-F	Weight in Kg	Electric pump dimensions in mm LxWxH
1 PH 230V 50Hz	3 PH 400V 50Hz							
LT-1200	-	2" M	2	Not applicable	20	10	25	232x215x375
-	LT-1200T	2" M	2	Not applicable	20	10	25	232x215x375
LT-1205	-	32	2	Not applicable	20	10	23	205x185x385
-	LT-1205T	32	2	Not applicable	20	10	23	205x185x385
LT-1210H	-	1" 1/2	2	Not applicable	5	10	18	230x166x438
-	LT-1210HT	1" 1/2	2	Not applicable	5	10	18	230x166x438
LT-1500	-	50 not DIN/2"	2	Not applicable	20	10	34	231x185x477
-	LT-1500T	50 not DIN/2"	2	Not applicable	20	10	34	231x185x477
LT-1510	-	2"	2	Not applicable	20	10	39	291x234x513
-	LT-1510T	2"	2	Not applicable	20	10	39	291x234x513
LT-1515	-	32	2	Not applicable	20	10	25	205x185x385
-	LT-1515T	32	2	Not applicable	20	10	25	205x185x385
LT-1525	-	1" 1/2	2	Not applicable	5	10	21	260x225x356
-	LT-1525T	1" 1/2	2	Not applicable	5	10	21	260x225x356
LT-2005	-	2"	2	Not applicable	20	10	41	291x234x513
-	LT-2005T	2"	2	Not applicable	20	10	41	291x234x513
LT-2010	-	2"	2	Not applicable	5	10	28,5	260x225x425
-	LT-2010T	2"	2	Not applicable	5	10	28,5	260x225x425
LT-2505	-	50 not DIN/2"	2	Not applicable	20	10	40	276x220x550
-	LT-2505T	50 not DIN/2"	2	Not applicable	20	10	40	276x220x550
LT-2515	-	1" 1/2	2	Not applicable	20	10	42	295x250x453
-	LT-2515T	1" 1/2	2	Not applicable	20	10	42	295x250x453
LT-3000T	-	50 not DIN/2"	2	Not applicable	20	10	42	276x220x550
LT-3005T	-	2"	2	Not applicable	20	10	39,3	291x234x513
LT-3010T	-	2"	2	Not applicable	5	10	29	260x225x425
LT-3300T	-	1" 1/2	2	Not applicable	20	10	42	295x250x453
LT-4000T	-	1" 1/2	2	Not applicable	20	10	50	294x245x467
LT-4005T	-	50	2	Not applicable	20	10	63	350x237x595
LT-5500T	-	1" 1/2	2	Not applicable	20	10	56	294x245x467
LT-5505T	-	50	2	Not applicable	20	10	65	350x237x595
LT-7500T	-	65	2	Not applicable	20	10	92	430x279x680
LT-10A00T	-	65	2	Not applicable	20	10	95	430x279x680

I-36063 Marostica (Vicenza) Italy  
www.valco.eu

**Liqua™ Range VALCO BRAND - LT-CUTTER - Cutter Sewage  
Wastewater Submersible Electric Pumps**

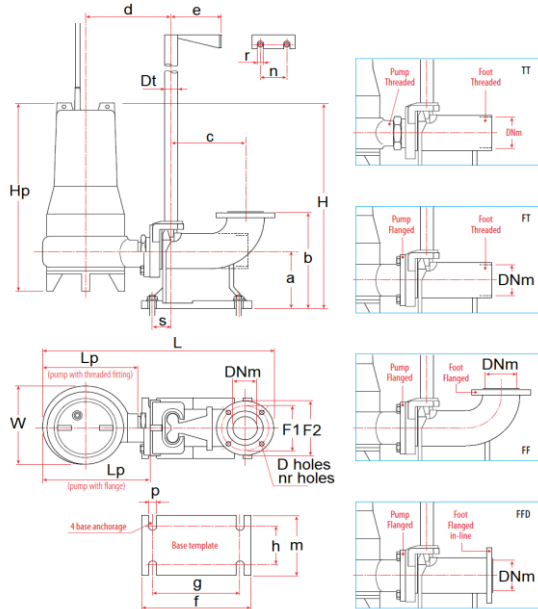
Pump and motor construction data  
with limits of use and operating conditions

Types		PUMP WITH COUPLING DEVICE DIMENSIONS IN mm																						
1 PH 230V 50Hz	3 PH 400V 50Hz	L	W	H	a	b	c	d	e	f	g	h	m	n	p	r	s	DNm	Dt	F1	F2	n.hol	Dhol	AC
LT-1200	-	338	185	410	110	na	63	185	55	110	60	100	130	nd	13	nd	nd	2"	3/4"	na	na	na	na	TT
-	LT-1200T	338	185	410	110	na	63	185	55	110	60	100	130	nd	13	nd	nd	2"	3/4"	na	na	na	na	TT
LT-1205	-	nd	185	437	130	na	nd	nd	59	nd	85	94	nd	nd	14	nd	nd	2"	3/4"	na	na	na	na	TT
-	LT-1205T	nd	185	437	130	na	nd	nd	59	nd	85	94	nd	nd	14	nd	nd	2"	3/4"	na	na	na	na	TT
LT-1210H	-	367	166	485	133	na	83	194	86	na	110	100	130	50	15	10	nd	2"	3/4"	na	na	na	na	TT
-	LT-1210HT	367	166	485	133	na	83	194	86	na	110	100	130	50	15	10	nd	2"	3/4"	na	na	na	na	TT
LT-1500	-	370	185	510	133	na	83	193	86	na	110	100	130	50	15	10	nd	2"	3/4"	na	na	na	na	FT
-	LT-1500T	370	185	510	133	na	83	193	86	na	110	100	130	50	15	10	nd	2"	3/4"	na	na	na	na	FT
LT-1510	-	-	-	-	-	-	-	-	-	-	-	-	-	-	-	-	-	-	-	-	-	-	-	WF
-	LT-1510T	-	-	-	-	-	-	-	-	-	-	-	-	-	-	-	-	-	-	-	-	-	-	WF
LT-1515	-	nd	185	437	130	na	nd	nd	59	nd	85	94	nd	nd	14	nd	nd	2"	3/4"	na	na	na	na	TT
-	LT-1515T	nd	185	437	130	na	nd	nd	59	nd	85	94	nd	nd	14	nd	nd	2"	3/4"	na	na	na	na	TT
LT-1525	-	388	225	400	103	na	nd	nd	nd	nd	nd	nd	nd	nd	nd	nd	nd	2"	3/4"	na	na	na	na	TT
-	LT-1525T	388	225	400	103	na	nd	nd	nd	nd	nd	nd	nd	nd	nd	nd	nd	2"	3/4"	na	na	na	na	TT
LT-2005	-	-	-	-	-	-	-	-	-	-	-	-	-	-	-	-	-	-	-	-	-	-	-	WF
-	LT-2005T	-	-	-	-	-	-	-	-	-	-	-	-	-	-	-	-	-	-	-	-	-	-	WF
LT-2010	-	433	225	464	132	na	nd	nd	nd	nd	nd	nd	nd	nd	nd	nd	nd	2"	3/4"	na	na	na	na	TT
-	LT-2010T	433	225	464	132	na	nd	nd	nd	nd	nd	nd	nd	nd	nd	nd	nd	2"	3/4"	na	na	na	na	TT
LT-2505	-	414	220	574	133	na	83	215	85	na	110	100	130	50	15	10	nd	2"	3/4"	na	na	na	na	FT
-	LT-2505T	414	220	574	133	na	83	215	85	na	110	100	130	50	15	10	nd	2"	3/4"	na	na	na	na	FT
LT-2515	-	393	250	498	110	na	63	210	55	110	60	100	130	nd	13	nd	nd	2"	3/4"	na	na	na	na	TT
-	LT-2515T	393	250	498	110	na	63	210	55	110	60	100	130	nd	13	nd	nd	2"	3/4"	na	na	na	na	TT
LT-3000T	-	414	220	574	133	na	83	215	85	na	110	100	130	50	15	10	nd	2"	3/4"	na	na	na	na	FT
-	LT-3005T	-	-	-	-	-	-	-	-	-	-	-	-	-	-	-	-	-	-	-	-	-	-	WF
LT-3010T	-	433	225	464	132	na	nd	nd	nd	nd	nd	nd	nd	nd	nd	nd	nd	2"	3/4"	na	na	na	na	TT
-	LT-3300T	393	250	498	110	na	63	210	55	110	60	100	130	nd	13	nd	nd	2"	3/4"	na	na	na	na	TT
LT-4000T	-	434	245	512	110	na	63	230	55	110	60	100	130	nd	13	nd	nd	2"	3/4"	na	na	na	na	TT
-	LT-4005T	654	237	614	130	260	145	300	55	nd	200	100	nd	95	18	10	nd	50	1 1/4"	125	165	4	18	FF
LT-5500T	-	434	245	512	110	na	63	230	55	110	60	100	130	nd	13	nd	nd	2"	3/4"	na	na	na	na	TT
-	LT-5505T	654	237	614	130	260	145	300	55	nd	200	100	nd	95	18	10	nd	50	1 1/4"	125	165	4	18	FF
LT-7500T	-	724	279	656	130	260	145	331	55	nd	200	100	nd	95	18	10	nd	65	1 1/4"	145	185	4	18	FF
-	LT-10A00T	724	279	656	130	260	145	331	55	nd	250	100	nd	95	18	10	nd	65	1 1/4"	145	185	4	18	FF

**Legenda**

- AC = TYPES OF AUTOCOUPLING DEVICES
- TT= Pump threaded - Foot threaded
- FF= Pump flanged - Foot flanged
- FT= Pump flanged - Foot threaded
- WF= Without foot
- nd=not available
- na=non applicable

Not in scale



FL BEND: Autocoupling device flanged with 90° bend



TH IN LINE: Autocoupling device threaded in line